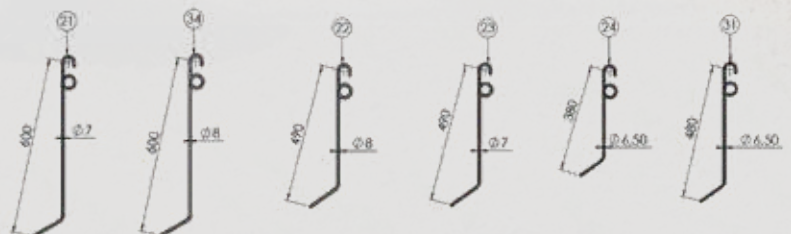
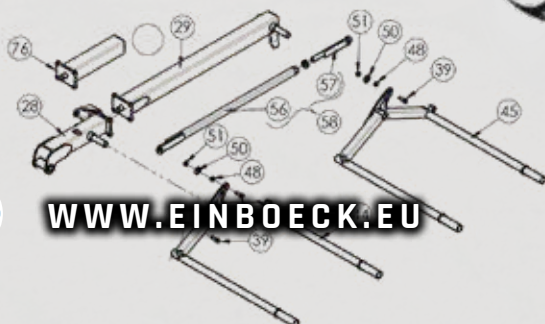
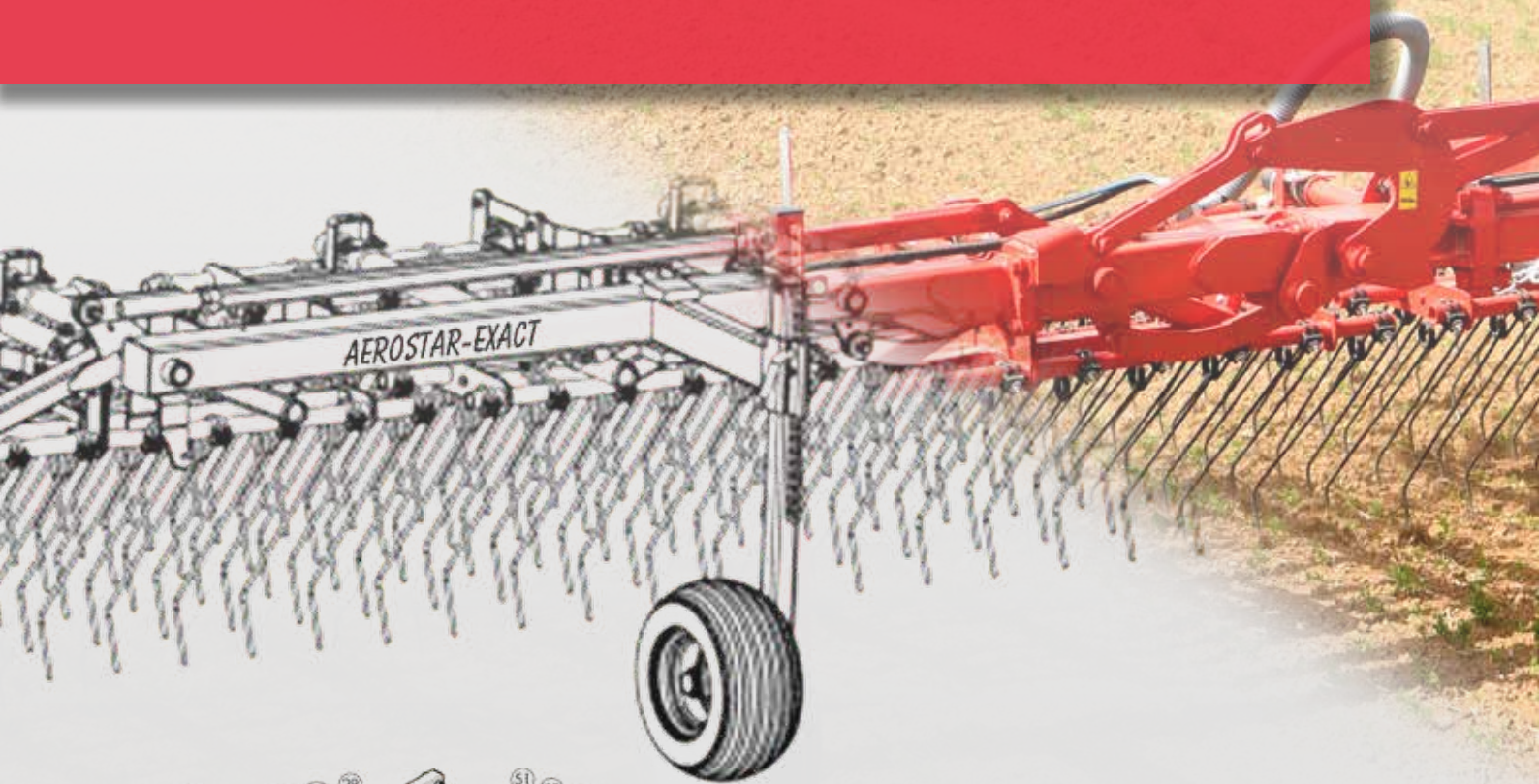


Einböck

**When weeding
is joy!**

DATA SHEET WEEDING TECHNOLOGY



WWW.EINBOECK.EU

WEEDER-TYPE	DIMENSIONS AND TECHNICAL DATA									FOLDING					CHASSIS				TINES / STARS / FIELDS											OPTIONS											
	Model = Working width (cm)	Transport width (cm)	Parking height (cm)	Basic weight (approx. in kg)	Standard track width (approx. in cm), infinitely variable	Standard track width (approx. in cm), adjustment in 10 cm steps	Track width infinitely variable up to 2,15 m	Mounting category	Power requirement from HP/kW	Rigid	Hydraulically folding	Hydraulic double folding	Semi-mounted / trailed	Hydraulic transport lock	Extendable / reducible	Support wheels (standard)	Additional pair of rubber support wheels	Slotted upper link mounting & pendular chassis	Following weeder tines behind wheels on pendular chassis	Tines 6,5 / 380 mm	Tines 6,5 / 490 mm	Tines 7,0 / 490 mm	Tines 7,0 / 600 mm	Tines 8,0 / 490 mm	Tines 8,0 / 490 mm STRAIGHT	Number of tines	Star wheels	Mechanical adjustment of aggressivity	Hydraulic adjustment of aggressivity	Protection against loss/section	Tine holder	Weeder extension	Line spacing (cm)	Number & size of sections (cm)	Warning signs + LED-lights to the rear	Warning signs + LED lights to the front and rear	Seeder P-BOX-STI	Seeder P-BOX-MD	Control valve: combining two hydraulic valves	Front mounting frame	Front leveling plate
AEROSTAR	150	154	140	190	136-140	-	●	I/22	15/11	✓	-	-	-	-	-	2	-	-	-	●	●	✓	●	●	●	60	-	✓	●	●	●	●	2,5	1x150	●	●	●	●	-	●	●
	210	213	140	200	136-140	-	●	I/22	20/15	✓	-	-	-	-	-	2	-	-	-	●	●	✓	●	●	●	84	-	✓	●	●	●	-	2,5	1x210	●	●	●	●	-	●	●
	300	300	140	280	136-140	-	●	I/28	30/22	✓	-	-	-	-	-	2	-	-	-	●	●	✓	●	●	●	120	-	✓	●	●	●	●	2,5	2x150	●	●	●	●	-	●	●
	450	260	170	500	136-140	-	●	I/28	40/29	-	✓	-	-	-	-	2	●	-	-	●	●	✓	●	●	●	180	-	✓	●	●	●	●	2,5	3x150	●	●	●	●	-	●	●
	510	260	200	520	136-140	-	●	I/28	50/37	-	✓	-	-	-	-	2	●	-	-	●	●	✓	●	●	●	204	-	✓	●	●	●	●	2,5	1x210/2x150	●	●	●	●	-	●	●
	600	300	245	620	136-140	-	●	II/28	60/44	-	✓	-	-	-	-	2	●	-	-	●	●	✓	●	●	●	240	-	✓	●	●	●	●	2,5	4x150	●	●	●	●	-	●	●
	600	300	245	740	136-140	-	●	II/28	60/44	-	✓	-	-	-	to 900	4	-	-	-	●	●	✓	●	●	●	240	-	✓	●	●	●	●	2,5	4x150	●	●	●	●	-	-	●
	750	270	320	850	136-140	-	●	II/28	65/48	-	✓	-	-	-	-	4	-	-	-	●	●	✓	●	●	●	300	-	✓	●	●	●	●	2,5	5x150	●	●	●	●	-	-	-
	810	270	350	870	136-140	-	●	II/28	70/51	-	✓	-	-	-	-	4	-	-	-	●	●	✓	●	●	●	324	-	✓	●	●	●	●	2,5	4x150/1x210	●	●	●	●	-	-	-
	900	300	400	980	136-140	-	●	II/28	70/51	-	✓	-	-	-	to 600	4	-	-	-	●	●	✓	●	●	●	360	-	✓	●	●	●	●	2,5	6x150	●	●	●	●	-	-	-
	900	300	350	1170	136-140	-	●	II/28	80/59	-	-	✓	-	●	to 1200	4	-	-	-	●	●	✓	●	●	●	360	-	✓	●	●	●	●	2,5	6x150	●	●	●	●	-	-	-
	1200	300	350	1310	136-140	-	●	II/28	90/66	-	-	✓	-	●	to 900	4	-	-	-	●	●	✓	●	●	●	480	-	✓	●	●	●	●	2,5	8x150	●	●	●	●	-	-	-
	1350	300	430	1350	136-140	-	●	II/28	110/81	-	-	✓	-	✓	-	4	-	-	-	●	●	✓	●	●	●	540	-	✓	●	●	●	●	2,5	9x150	●	●	-	-	●	-	-
	1500	300	430	1600	136-140	-	●	II/28	130/95	-	-	✓	-	✓	to 1200	4	-	-	-	●	●	✓	●	●	●	600	-	✓	●	●	●	●	2,5	10x150	●	●	-	-	●	-	-
	1800	600	430	2490	150-264 320-370	-	-	II/28	180/133	-	-	✓	-	✓	to 1500	6	-	-	-	●	●	✓	●	●	●	720	-	✓	●	●	●	●	2,5	12x150	●	●	-	-	●	-	-
1800	300	390	3950	-	175-225	-	II/28+III/36	180/133	-	-	-	✓	✓	-	4	-	-	-	-	-	✓	●	●	●	720	-	✓	●	●	-	-	2,5	3x180/6x210	-	●	-	-	-	-	-	
2400	300	390	5460	-	175-225	-	II/28+III/36	200/147	-	-	-	✓	✓	-	6	-	-	-	-	-	✓	●	●	●	960	-	✓	●	●	-	-	2,5	3x180/6x210/4x150	-	●	-	-	-	-	-	
AEROSTAR-EXACT	300	300	140	540	136-125	-	-	II/28	30/22	✓	-	-	-	-	4	-	✓	✓	-	-	-	✓	-	-	120	-	-	✓	●	●	●	2,5	2x150	●	●	●	●	-	-	-	
	600	300	310	940	136-214	-	-	II/28	60/44	-	✓	-	-	-	6	-	✓	✓	-	-	-	✓	-	-	240	-	-	✓	●	●	●	2,5	4x150	●	●	●	●	-	-	-	
	900	300	370	1600	136-225	-	-	II/28	90/66	-	-	✓	-	✓	to 1200	6	-	✓	✓	-	-	-	✓	-	-	360	-	-	✓	●	●	●	2,5	6x150	●	●	●	●	-	-	-
	1200	300	370	1880	136-225	-	-	II/28	100/74	-	-	✓	-	✓	to 900	6	-	✓	✓	-	-	-	✓	-	-	480	-	-	✓	●	●	●	2,5	8x150	●	●	●	●	-	-	-
	1500	300	450	2280	136-225	-	-	II/28	150/110	-	-	✓	-	✓	to 1200	6	-	✓	✓	-	-	-	✓	-	-	600	-	-	✓	●	●	●	2,5	10x150	●	●	-	-	●	-	-
1800	600	450	3220	150-235 366-480	-	-	III/36	200/147	-	-	✓	-	✓	to 1500	10	-	✓	✓	-	-	-	✓	-	-	720	-	-	✓	●	●	●	2,5	12x150	●	●	-	-	●	-	-	
AEROSTAR-ROTATION	150	180	140	280	136-225	-	-	I/28	20/15	✓	-	-	-	-	2	-	-	-	-	-	-	-	-	-	-	10	-	✓	-	-	-	15	1x150	●	●	●	●	-	-	-	
	300	300	140	420	136-225	-	-	I/28	35/26	✓	-	-	-	-	2	-	-	-	-	-	-	-	-	-	-	20	-	✓	-	-	-	15	2x150	●	●	●	●	-	-	-	
	450	290	240	650	136-225	-	-	I/28	50/37	-	✓	-	-	-	2	-	-	-	-	-	-	-	-	-	-	30	-	✓	-	-	-	15	3x150	●	●	●	●	-	-	-	
	600	300	310	810	136-214	-	-	II/28	65/48	-	✓	-	-	-	-	4	-	-	-	-	-	-	-	-	-	40	-	✓	-	-	-	15	4x150	●	●	●	●	-	-	-	
	900	300	350	1560	136-225	-	-	II/28	90/66	-	-	✓	-	✓	to 1200	4	-	-	-	-	-	-	-	-	-	-	60	-	✓	-	-	-	15	6x150	●	●	●	●	-	-	-
	1200	300	350	1890	136-225	-	-	II/28	100/74	-	-	✓	-	✓	to 900	4	-	-	-	-	-	-	-	-	-	-	80	-	✓	-	-	-	15	8x150	●	●	-	-	●	-	-
1800	600	440	3300	150-264 320-370	-	-	III/36	150/110	-	-	✓	-	✓	-	6	-	-	-	-	-	-	-	-	-	-	120	-	✓	-	-	-	15	12x150	●	●	-	-	●	-	-	

✓ = standard equipment ● = optionally available - = not possible

Conversion cm in inch = cm / 2,54
Conversion cm in feet = cm / 30,48

Technical changes and mistakes are subject to change without prior notice!

In order to introduce the benefits of our continuous product development, we reserve the right to make technical changes without prior notice. Printing and typesetting errors or changes of any kind do not entitle the customer to any claims. Individual equipment specifications, which are illustrated or described here, are only available as options.

In case of contradictions between individual documents regarding the scope of supply, the information in our current price list shall apply.
All pictures are symbol pictures and may contain options which are available for an additional charge. For further information please contact our sales team.

Photos & Graphics: © Einböck GmbH; Photos & Graphics free, without licence, but can be used only unchanged | Text & Content: © Einböck GmbH; can be used unchanged if source is cited | Version 1: 04/2021

For further options or technical information please contact our sales team. For an up-to-date overview or information, please visit our website and download the latest brochures online (www.einboeck.at/en/downloads).